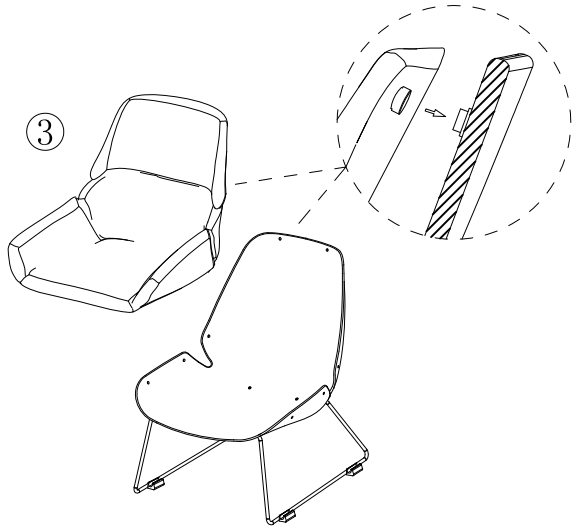


3



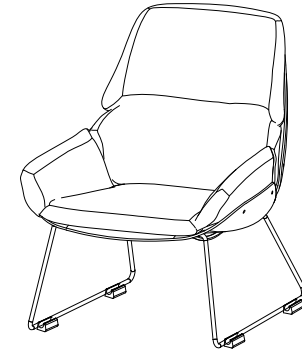
Each product contains

Number	Picture	Quantity
①		1
②		1
③		1

Number	Picture	Quantity	Additional accessories
④	M6X12	4	1
⑤		4	1

4mm X1

BAY-05

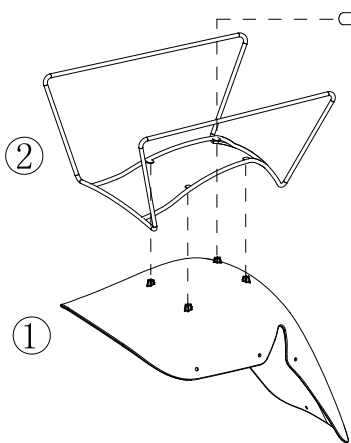


Assembly instructions

1

4mm X1

④ x4



2

⑤ x4

